

This is a general specification leaflet ; for specific applications not covered herein, contact Suntec.

The Versa Pro F is a line of pressure switches (gas and air) that monitor pressure and make or break the electrical control circuit when pressure drops below or rises above the desired setpoint. The pressure settings are easy to read and adjust. All models are available in automatic reset operation only.

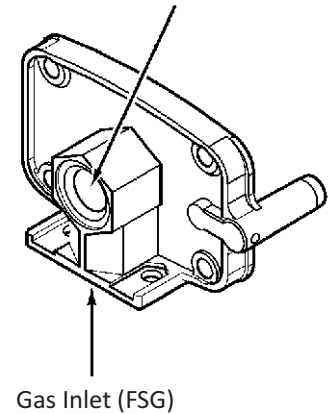
The Versa Pro is a compact and sturdy switch constructed with a durable plastic electrical enclosure and a die-cast aluminum inlet base.

SPECIFICATIONS

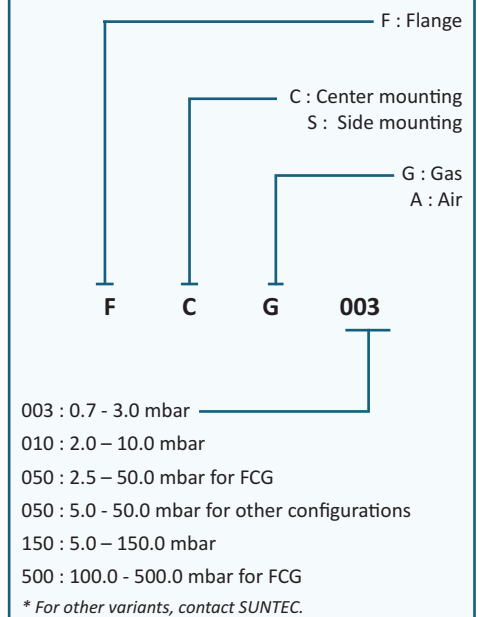
Functioning with	Air and gas of 1st, 2nd and 3rd families according to EN 437
Maximum Operating Pressure	690 mbar (69 kPa)
Maximum Surge Pressure	1 bar
Electrical Ratings	6A – 250 VAC
Protection	IP 54 approved to IEC 529 (EN 60529)
Temperature	Ambient : - 15°C to 60°C Storage : - 30°C to 80°C
Weight	0.11 kg
Electrical Connection	3-pin connector (1 NO contact and 1 NC contact) for line sockets as per DIN - EN 175 301 - 803 (without ground protection)
Thread	1/4-19 BSP Thread
Certification	DVGW

Type	Base type	Version	Part No.	Range	Threshold
Gas	FCG : Center Mount	FCG 003	8171006003	0.7 – 3.0 mbar	≤ 0.7 mbar
		FCG 010	8171007010	2.0 – 10.0 mbar	≤ 1.0 mbar
		FCG 050	8171011050	2.5 - 50.0 mbar	≤ 2.5 mbar
		FCG 150	8171009150	5.0 – 150.0 mbar	≤ 5.0 mbar
		FCG 500	8171010500	100.0 - 500.0 mbar	≤ 15.0 mbar
	FSG : Side Mount	FSG 003	8181011003	0.7 – 3.0 mbar	≤ 0.7 mbar
		FSG 010	8181012010	2.0 – 10.0 mbar	≤ 1.0 mbar
		FSG 050	8181013050	5.0 – 50.0 mbar	≤ 2.5 mbar
		FSG 150	8181014150	5.0 – 150.0 mbar	≤ 5.0 mbar
		Air	FCA : Center Mount	FCA 003	8191031003
FCA 010	8191032010			2.0 – 10.0 mbar	≤ 1.0 mbar
FCA 050	8191033050			5.0 - 50.0 mbar	≤ 2.5 mbar

Gas Inlet (FCG) or
Air Inlet (FCA)



PRESSURE SWITCH IDENTIFICATION



DIMENSIONS

