



SQN70.../SQN71...



SQN74.../SQN75...

Actuators

SQN7...

Reversible electromotoric actuators for air dampers and valves of oil or gas burners of small to medium capacity.

The SQN7... and this Data Sheet are intended for use by OEMs which integrate the actuators in their products!

Use and features

The SQN7... actuators are designed for driving gas or air dampers of oil or gas burners of small to medium capacity, for load-dependent control of the fuel and combustion air volume:

- In connection with P-PI or PID controllers, such as the RWF40...
- Directly via the different types of burner controls, such as LFL..., LME..., LMG..., LMO..., LOA...
- In connection with 1- or 2-wire control or 3-position controllers

- All types of actuators feature:
 - Impact-proof and heat-resistant plastic housings
 - Screw terminals for the electrical connections
 - Maintenance-free gear train, which can be disengaged
 - Internal position indication
 - Easy-to-adjust end and auxiliary switches for adjusting the switching points
 - Integrated electronic circuits
- Holding torque:

| | |
|------------------------------|--------------|
| - SQN70.../SQN71.../SQN75... | 0.7...1.3 Nm |
| - SQN74... | 0.7 Nm |
- Running time:

| | |
|------------------------------|----------|
| - SQN70.../SQN71.../SQN75... | 4...30 s |
| - SQN74... | 4 s |
- Direction of rotation:

| | |
|---------------------|------------------|
| - SQN70.../SQN74... | counterclockwise |
| - SQN71.../SQN75... | clockwise |
- SQN74.../SQN75...
 - Fixing holes and cable entries
 - Equivalent to actuators of the same category made by Conectron and Berger

Warning notes



To avoid injury to persons, damage to property or the environment, the following warning notes must be observed!

Do not interfere with or modify the actuators!

- All activities (mounting, installation and service work, etc.) must be performed by qualified staff
- Before making any wiring changes in the connection area, completely isolate the plant from mains supply (all-polar disconnection). Ensure that the plant cannot be inadvertently switched on again and that it is indeed dead. If not observed, there is a risk of electric shock hazard
- Ensure protection against electric shock hazard by providing adequate protection for the connection terminals and by securing the housing cover
- Each time work has been carried out (mounting, installation, service work, etc.), check to ensure that wiring is in an orderly state
- Fall or shock can adversely affect the safety functions. Such actuators must not be put into operation, even if they do not exhibit any damage

Mounting notes

- Ensure that the relevant national safety regulations are complied with

Standards and certificates



Applied directives:

- Low-voltage directive 2014/35/EC
- Electromagnetic compatibility EMC (immunity) 2014/30/EC

Compliance with the regulations of the applied directives is verified by the adherence to the following standards / regulations:

- Automatic electrical controls for household and similar use Part 1: General requirements DIN EN 60730-1
- Automatic electrical controls for household and similar use Part 2-14: Particular requirements for electric actuators DIN EN 60730-2-14

The relevant valid edition of the standards can be found in the declaration of conformity!



EAC Conformity mark (Eurasian Conformity mark)



ISO 9001:2008
ISO 14001:2004
OHSAS 18001:2007



Only valid for
SQN70.xxxRxx
SQN71.xxxRxx

Disposal notes

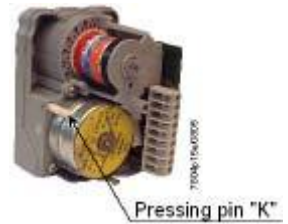


The actuators contain electrical and electronic components and must not be disposed of together with household waste.

Local and currently valid legislation must be observed.

Mechanical design

| | |
|--------------------------------|---|
| Housing | <ul style="list-style-type: none">- Made of impact-proof and heat-resistant plastic- The housing accommodates:<ul style="list-style-type: none">– The reversible synchronous motor with gear train, which can be disengaged– The camshaft of the control section– The relays, depending on the type of actuator– The switches, connected to the terminals via the printed circuit board <p>Color: SQN70.../SQN71...: Gear train housing dark-grey, cover light-grey SQN74.../SQN75...: Gear train housing black, cover black</p> |
| Drive motor | <ul style="list-style-type: none">- Reversible and locking-proof synchronous motor |
| Coupling | <ul style="list-style-type: none">- Drive shaft can be manually disengaged from the gear train and motor (by pressing pin K)- Automatic reengagement |
| Adjustment of switching points | <ul style="list-style-type: none">- By means of adjustable cams- Scales beside the cams indicate the angle of the switching point- Assignment of cams to the end and auxiliary switches is color-coded (see Connection diagrams)- Some of the cam feature fine adjustment; they can be adjusted with a standard screwdriver- The other cams can be adjusted manually or with the enclosed hook-spanner or a similar tool |
| Position indication | <ul style="list-style-type: none">- Internally: Scale at the beginning of the camshaft on the gear train side |
| Electrical connections | <ul style="list-style-type: none">- See Technical data |
| Gear train | <ul style="list-style-type: none">- Maintenance-free |
| Drive shaft | <ul style="list-style-type: none">- Made of black-finished steel- Ready fitted to the front of the gear train- Different versions available |
| Mounting and fixing | <ul style="list-style-type: none">- Front of the gear train is used as the mounting surface- Actuator is secured via through-holes |



Special versions for fitting potentiometer

| | |
|-------------------------|---|
| Fitting a potentiometer | <p>Certain types of actuators are supplied ready prepared for fitting a potentiometer. These actuators differ from the basic type only in that the cover is higher. They are prepared for housing the potentiometer. Accessories are not required. With these types of actuators, the third digit after the dot in the actuator's type reference is an «8».</p> <p>Example: SQN7x.xx8Axx → version for fitting a potentiometer, mounted higher cover AGA34</p> <p>With the other types of actuators which are suited for fitting a potentiometer, the higher cover AGA34 must be ordered (see Ordering).</p> <p>The required type of potentiometer is to be ordered as a separate item (see Ordering).</p> |
|-------------------------|---|

Type summary (other types of actuators available on request)

| Diagram No. | Drive shaft No. ¹⁾ | Running time ²⁾ for 90° s | Nominal torque ⁶⁾ (max.) Nm | Holding torque Nm | AS ⁷⁾ pcs. | Relay pcs. | Pot. ^{9) 10)} | Length of housing ¹⁾ mm | Types for mains voltage/ mains frequency | | SQN7... replaces type |
|---|-------------------------------|--------------------------------------|--|-------------------|-----------------------|------------|------------------------|------------------------------------|---|---|-----------------------|
| | | | | | | | | | AC 230 V ⁴⁾ +10% -15% 50...60 Hz | AC 115 V ³⁾ +10% -15% 50...60 Hz | |
| Actuators SQN70.../counterclockwise rotation⁸⁾ | | | | | | | | | | | |
| 2 | 0 | 4 | 1.5 | 0.7 | 2 | 2 | --- | 117 | SQN70.224A20 | --- | --- |
| 4 | 0 | 4 | 1.5 | 0.7 | 2 | 3 | --- | 117 | SQN70.244A20 | --- | SQN30.121A2700 |
| 5 | 0 | 4 | 1.5 | 0.7 | 2 | 3 | --- | 117 | SQN70.254A20 | --- | --- |
| 6 | 0 | 4 | 1.5 | 0.7 | 2 | --- | 10) | 80 | SQN70.264A20 | --- | SQN30.101A2700 |
| 9 | 0 | 4 | 1.5 | 0.7 | 2 | 1 | --- | 117 | SQN70.294A20 | --- | SQN30.111A2700 |
| 2 | 0 | 6 | 1.5 | 0.7 | 2 | 2 | --- | 117 | SQN70.324A20 | --- | SQN30.151A2700 |
| 2 | 0 | 12 | 2.5 | 1.2 | 2 | 2 | --- | 117 | SQN70.424A20 | --- | --- |
| 5 | 0 | 12 | 2.5 | 1.2 | 2 | 3 | --- | 117 | SQN70.454A20 | --- | --- |
| 6 | 0 | 12 | 2.5 | 1.2 | 2 | --- | 10) | 80 | SQN70.464A20 | --- | --- |
| 6 | 3 | 12 | 2.5 | 1.2 | 2 | --- | 10) | 80 | SQN70.464A23 | --- | --- |
| 2 | 0 | 30 | 2.5 | 1.3 | 2 | 2 | --- | 117 | SQN70.624A20 | --- | --- |
| 6 | 0 | 30 | 2.5 | 1.3 | 2 | --- | 10) | 80 | SQN70.664A20 | --- | SQN30.401A2700 |
| 6 | 3 | 30 | 2.5 | 1.3 | 2 | --- | 10) | 80 | SQN70.664A23 | --- | SQN30.401A2730 |
| Actuators SQN70.../counterclockwise rotation⁸⁾/UL «Registered» for use in U.S. and Canada | | | | | | | | | | | |
| 0 | 0 | 30 | 2.5 | 1.3 | 1 | --- | 10) | 80 | --- | SQN70.603R10 | --- |
| 0 | 9 | 30 | 2.5 | 1.3 | 1 | --- | 10) | 80 | --- | SQN70.603R19 | --- |
| Actuators SQN71.../clockwise rotation⁸⁾ | | | | | | | | | | | |
| 4 | 0 | 4 | 1.5 | 0.7 | 2 | 2 | --- | 117 | SQN71.244A20 | --- | SQN31.121A2700 |
| 6 | 0 | 4 | 1.5 | 0.7 | 2 | --- | 10) | 80 | SQN71.264A20 | --- | SQN31.101A2700 |
| 2 | 0 | 12 | 2.5 | 1.2 | 2 | 2 | --- | 117 | SQN71.424A20 | --- | --- |
| 4 | 0 | 12 | 2.5 | 1.2 | 2 | 2 | --- | 117 | SQN71.444A20 | --- | --- |
| 6 | 1 | 12 | 2.5 | 1.2 | 2 | --- | 10) | 80 | SQN71.464A21 | --- | --- |
| 2 | 3 | 30 | 2.5 | 1.3 | 2 | 2 | --- | 117 | SQN71.624A23 | --- | --- |
| 6 | 0 | 30 | 2.5 | 1.3 | 2 | --- | 10) | 80 | SQN71.664A20 | SQN71.664A10 | SQN31.401A2700 |
| 6 | 3 | 30 | 2.5 | 1.3 | 2 | --- | 9) | 117 | SQN71.669A23 | --- | --- |
| 9 | 0 | 30 | 2.5 | 1.3 | 2 | 1 | --- | 117 | SQN71.694A20 | --- | --- |
| Actuators SQN71.../clockwise rotation⁸⁾/UL «Registered» for use in U.S. and Canada | | | | | | | | | | | |
| 0 | 9 | 12 | 2.5 | 1.2 | 1 | --- | 10) | 80 | --- | SQN71.403R19 | --- |
| 0 | 0 | 30 | 2.5 | 1.3 | 1 | --- | 10) | 80 | --- | SQN71.603R10 | --- |
| 0 | 9 | 30 | 2.5 | 1.3 | 1 | --- | 10) | 80 | --- | SQN71.603R19 | --- |
| 0 | 0 | 30 | 2.5 | 1.3 | 1 | --- | 9) | 84 | --- | SQN71.608R10⁵⁾ | --- |
| 0 | 0 | 30 | 2.5 | 1.3 | 1 | --- | 9) | 84 | SQN71.608R20⁵⁾ | --- | --- |

The UL-registered types of actuators

- also meet CE requirements
- are of the same basic design as the equivalent standard types

The only difference between the standard versions and the UL-registered versions is the use of other materials, especially plastics. In addition, the UL-registered versions are supplied complete with an adapter for use in the U.S. and Canada (see Dimensions).

Type summary / cont'd (other types of actuators available on request)

| Diagram No. | Drive shaft No. 1) | Running time 2) for 90° s | Nominal torque 6) (max.) Nm | Holding torque Nm | AS 7) pcs. | Relay pcs. | Pot. 9) 10) | Length of housing 1) mm | Types for mains voltage/ mains frequency | | SQN7... replaces type |
|--|-----------------------|------------------------------------|--------------------------------------|----------------------|------------------|---------------|----------------|----------------------------|---|--|-----------------------------|
| | | | | | | | | | AC 230 V 4) +10% -15% 50...60 Hz | AC 115 V 3) +10% -15% 50...60 Hz | |
| Actuators SQN74.../counterclockwise rotation 8) | | | | | | | | | | | |
| 5 | 1 | 4 | 1,5 | 0,7 | 4 | 3 | 9) | 115 | SQN74.254A21 | --- | --- |
| 9 | 1 | 4 | 1,5 | 0,7 | 2 | 1 | 9) | 115 | SQN74.294A21 | --- | --- |
| Actuators SQN75.../clockwise rotation 8) | | | | | | | | | | | |
| 2 | 1 | 4 | 1,5 | 0,7 | 2 | 2 | --- | 115 | SQN75.224A21 | --- | --- |
| 2 | 6 | 4 | 1,5 | 0,7 | 4 | 2 | --- | 115 | SQN75.224A26 | --- | --- |
| 4 | 1 | 4 | 1,5 | 0,7 | 2 | 3 | --- | 115 | SQN75.244A21 | --- | --- |
| 4 | 6 | 4 | 1,5 | 0,7 | 2 | 3 | --- | 115 | SQN75.244A26 | --- | --- |
| 9 | 1 | 4 | 1,5 | 0,7 | 2 | 1 | 9) | 115 | SQN75.294A21 | --- | --- |
| 9 | 1 | 4 | 1,5 | 0,7 | 4 | 1 | 9) | 115 | SQN75.294A26 | --- | --- |
| F | 1 | 12 | 2,5 | 1,2 | 4 | 2 | --- | 115 | SQN75.4F6A21 | --- | --- |
| 2 | 1 | 12 | 2,5 | 1,2 | 2 | 2 | --- | 115 | SQN75.424A21 | --- | --- |
| 9 | 1 | 12 | 2,5 | 1,2 | 2 | 1 | 9) | 115 | SQN75.494A21 | --- | --- |
| 2 | 6 | 23 | 2,5 | 1,2 | 4 | 2 | --- | 115 | SQN75.524A26 | --- | --- |
| 6 | 6 | 30 | 2,5 | 1,3 | 4 | --- | 9) | 115 | SQN75.664A26 | --- | --- |
| 9 | 1 | 30 | 2,5 | 1,3 | 2 | 1 | 9) | 115 | SQN75.694A21 | --- | --- |

Legend

- 1) See Dimensions
- 2) At 60 Hz, running times are about 20% shorter
- 3) AC 115 V +10%/-15% possible, but in the case of undervoltage, torque is reduced by about 20%
- 4) AC 230 V +10%/-15% possible, but in the case of undervoltage, torque is reduced by about 20%
- 5) On request
- 6) Under nominal conditions; under extreme conditions (e.g. +60 °C, AC 230 V –15%) approx. –25%
- 7) Auxiliary switches (in addition to the 2 end switches)
- 8) When facing the drive shaft and when control voltage is supplied to end switch I
- 9) Suited for direct fitting of potentiometer (see Fitting a potentiometer)
- 10) Suited for fitting potentiometer. Cover AGA34 to be ordered as a separate item

Ordering

Actuator

see Type reference

Potentiometer ASZ...

see Data Sheet N7921
see Mounting Instruction M7921



Mounting kit

AGA70.3

- For mounting the SQN70.../SQN71... in place of the SQN3...
- Fitted to the SQN70.../SQN71... with a self-tapping screw (included as standard)



Cover

AGA34

- For SQN70.../SQN71... backfitting with potentiometer ASZxx.3x

Technical data

General actuator data

| | | |
|-----------------|--|---|
| Actuator | Mains voltage | AC 230 V –15% +10% |
| | | AC 115 V –15% +10% |
| | Mains frequency | 50...60 Hz ±6% |
| | Drive motor | Synchronous motor |
| | Power consumption | 6 VA |
| | Angular adjustment | Max. 160°, scale range 0...130° |
| | Mounting position | Optional |
| | Degree of protection | |
| | - All types | IP40 to DIN 40050, provided adequate cable entries and fixing screws are used |
| | - SQN74.../SQN75... | IP20 to DIN 40050, provided lateral knockout hole for cable is used |
| | Safety class | |
| | - SQN70.../SQN71... | II to DIN EN 60730 |
| | - SQN74.../SQN75... | I to DIN EN 60730 |
| | Cable entry | |
| | - SQN70.../SQN71... | Insertable threaded cable gland holder for 2 x Pg9, no locknut required |
| | - SQN74.../SQN75... | Openings for locknut for fixing cable glands |
| | | Type of locknut |
| | | 1 x Pg9 M Pg9 DIN 46320 MS |
| | | 1 x Pg11 M Pg11 DIN 46320 MS |
| | | Additional lateral knockout hole for loose introduction of 2 cables with a maximum dia. of 6 mm, cable strain relief to be provided by the user (also see Degree of protection) |
| | | Pg glands and locknuts are not part of the delivery |
| | Cable connections | Screw terminals for min. 0.5 mm ² and max. 2.5 mm ² cross-sectional area |
| | Ferrules | Matching the dia. of the stranded wire |
| | Direction of rotation | See Type summary |
| | Nominal and holding torque | See Type summary |
| | Running times | See Type summary |
| | Load changes with continuous rated load | Typically 500,000 |
| | Weight (average) | Approx. 500 g |
| | On time | 60% max. 3 min. continuous operation |
| | Backlash between drive motor and drive shaft | |
| | - As supplied | ≤1.2° ±0.3° |
| | - After 250,000 cycles | ≤1.5° ±0.3° |

Technical data (cont'd)

End and auxiliary switches

| | |
|---|---|
| Number of end switches | 2 |
| Number of auxiliary switches | See Type summary |
| Actuation | Via camshaft, color-coded cams (see Connection diagrams) Switches with fine adjustment - SQN70.../SQN71... : II and III - SQN74.../SQN75... : III and IV |
| Breaking voltage | AC 24...250 V |
| Adjustment of cams | |
| - Without fine adjustment | 1° |
| - With fine adjustment | Infinitely |
| Max. perm. amperage at $\cos \varphi = 0.9$: (values in parentheses: short-time peaks for max. 0.5 s) | |
| • Connection diagram ① | |
| - Terminals 1, 2, 3, 4 | 0.5 A |
| - Terminals 5, 6, 7 | 1 A (7 A) |
| • Connection diagram ① | |
| - Terminals 1, 2, 6, 7 | 0.5 A |
| - Terminals 3, 4 | 1 A (7 A) |
| • Connection diagram ② | |
| - Terminals 1, 2, 3, 8 | 0.5 A |
| - Terminal 4, 5 | 2 A (14 A) |
| - Terminal 6, 7 | 1 A (7 A) |
| • Connection diagram ③ | |
| - Terminals 1, 2, 3, 8, 11 | 0.5 A |
| - Terminals 4, 5, 7, 10 | 1 A (7 A) |
| • Connection diagram ④ | |
| - Terminals 1, 3, 8 | 0.5 A |
| - Terminal 4, 5 | 3 A (14 A) |
| - Terminal 6, 7 | 1 A (7 A) |
| • Connection diagram ⑤ | |
| - Terminals 1, 2, 3, 8 | 0.5 A |
| - Terminal 4, 5 | 2 A (14 A) |
| - Terminal 6, 7 | 1 A (7 A) |
| • Connection diagram ⑥ | |
| - Terminals 1, 2, 3, 4, 5 | 0.5 A |
| - Terminal 6, 7, 8 | 1 A (7 A) |
| • Connection diagram ⑨ | |
| - Terminals 1, 2, 3, 4, 5, 8 | 0.5 A |
| - Terminal 6, 7 | 1 A (7 A) |
| • Connection diagram ① ^F | |
| - Terminals 2...7 | 0.5 A |
| - Terminals 1, 8, 9 | 1 A (7 A) |
| • Connection diagram ① ^K | |
| - Terminals 1, 2 | 0.5 A |
| - Terminals 3, 4, 5, 6, 7, 8 | 1 A (7 A) |

| | | |
|---------------------------------|-----------------------|------------------|
| Environmental conditions | Storage | DIN EN 60721-3-1 |
| | Climatic conditions | Class 1K3 |
| | Mechanical conditions | Class 1M2 |
| | Temperature range | -20...+60 °C |
| | Humidity | <95% r.h. |
| | Transport | DIN EN 60721-3-2 |
| | Climatic conditions | Class 2K2 |
| | Mechanical conditions | Class 2M2 |
| | Temperature range | -50...+60 °C |
| | Humidity | <95% r.h. |
| | Operation | DIN EN 60721-3-3 |
| | Climatic conditions | Class 3K5 |
| Mechanical conditions | Class 3M2 | |
| Temperature range | -20...+60 °C | |
| Humidity | <95% r.h. | |



Caution!
Condensation, formation of ice and ingress of water are not permitted!

Function

A synchronous motor drives the camshaft via a gear train. The camshaft actuates the end and auxiliary switches. Using the associated cam, the switching position of each end and auxiliary switch can be adjusted within the working range. Some of the actuator versions are equipped with electronic modules, which perform auxiliary functions in connection with the end and auxiliary switches, or with external devices, such as controllers (see Connection diagrams). The functions and technical data of both lines of actuators SQN70.../SQN71... and SQN74.../SQN75... are nearly identical.

Replacement of SQN30.../SQN31...

The *Type summary* contains actuators type **SQN3...**, which can be replaced by SQN70.../SQN71... with the help of a mounting kit (see Ordering).

The **SQN30...** and **SQN31...** contained in the *Type summary*

- See SQN7... AC 230 V versions
- are versions **with no** facility for fitting a potentiometer (see Data Sheet N7808)

Mechanical adaptations are not normally required.

To be noted are the different terminal assignments used with the 2 lines of actuators.

Connection diagrams

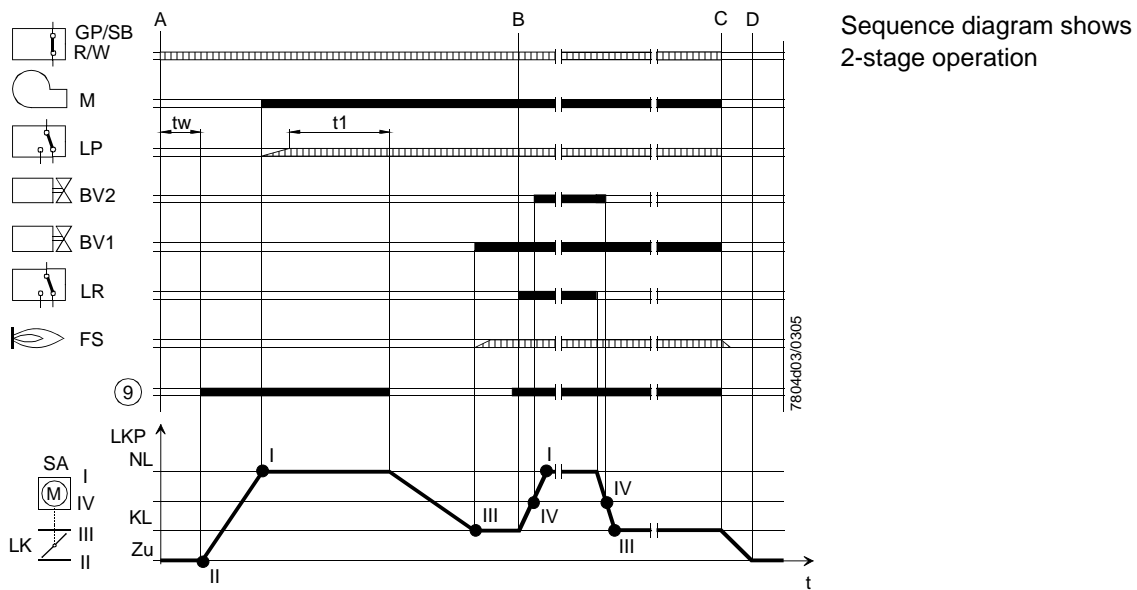
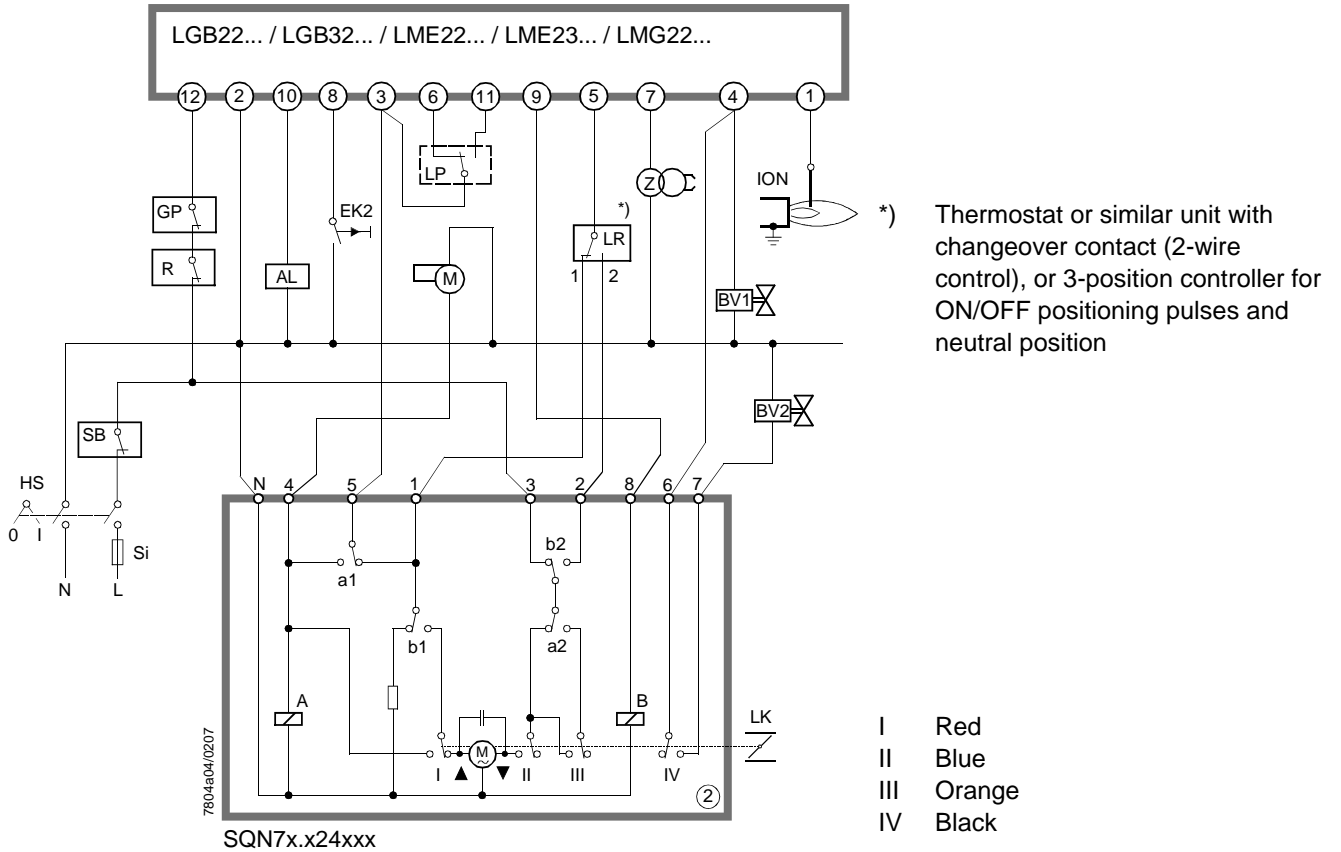


Note!

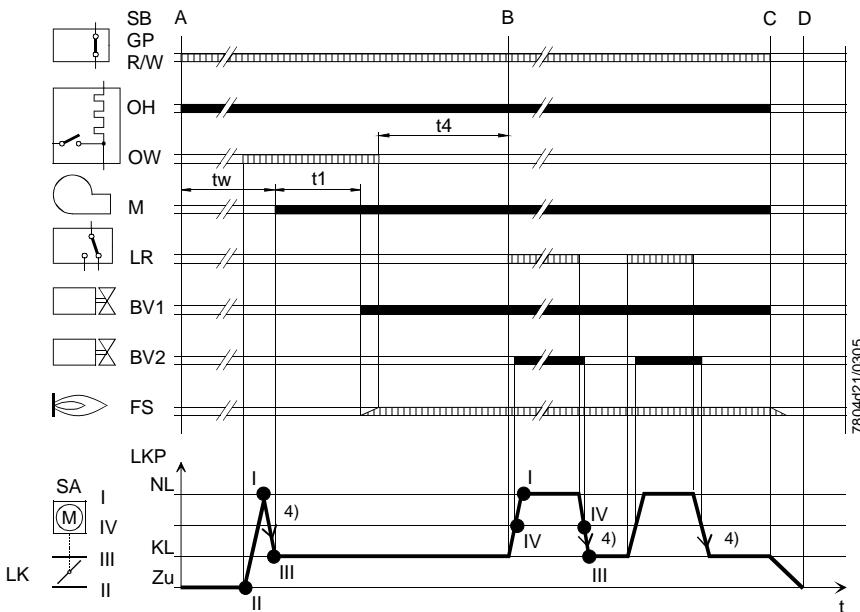
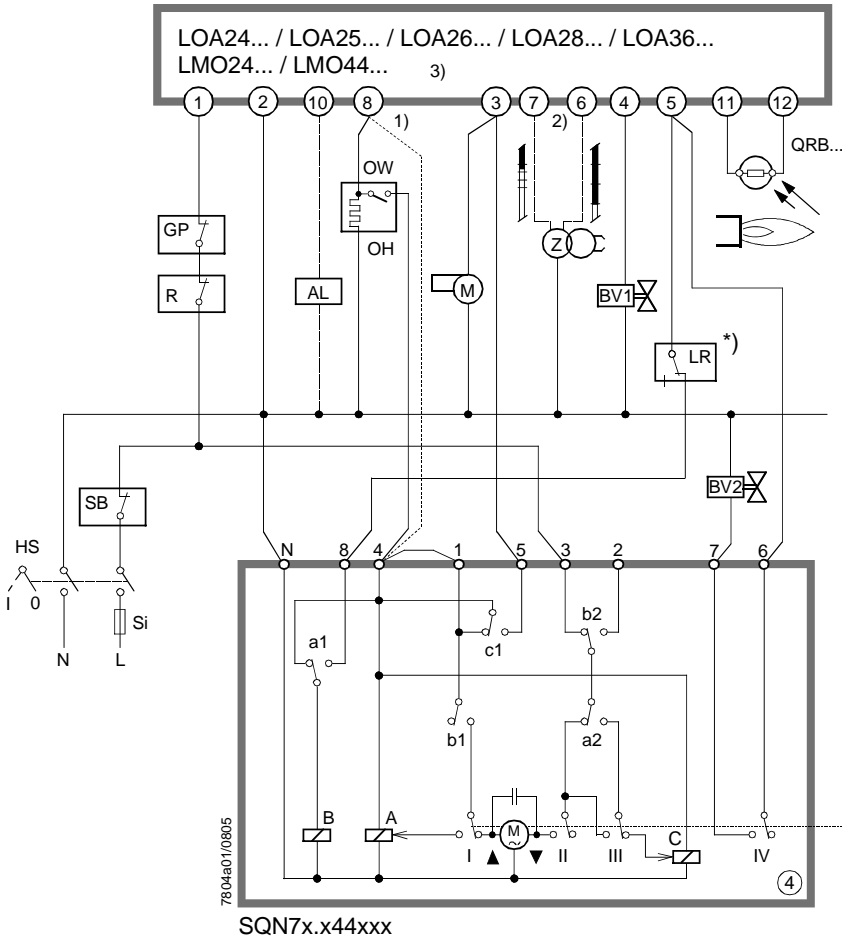
The following connection diagrams show the start position as supplied:
 - End switch position II CLOSE
 - Dead

No. ② → LGB22.../LGB32.../LME22.../LME23.../LMG22...

2-stage or modulating operation → prepurging at nominal load position (NL)

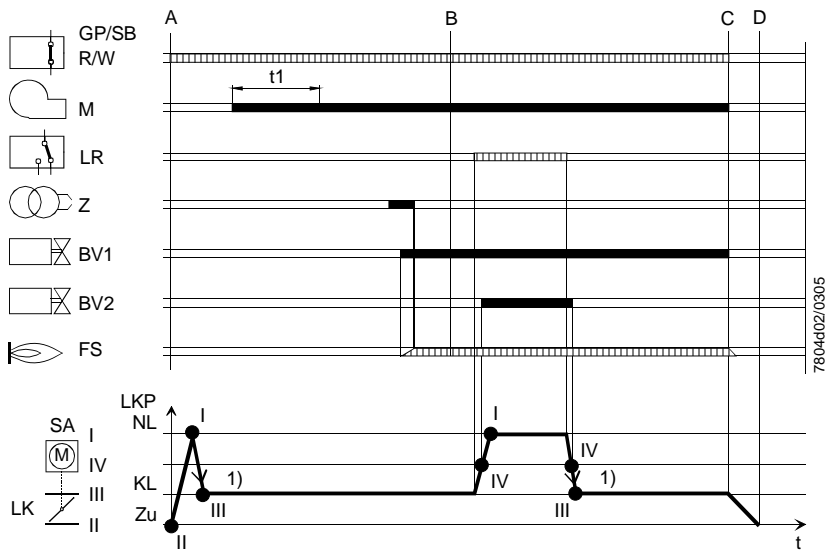
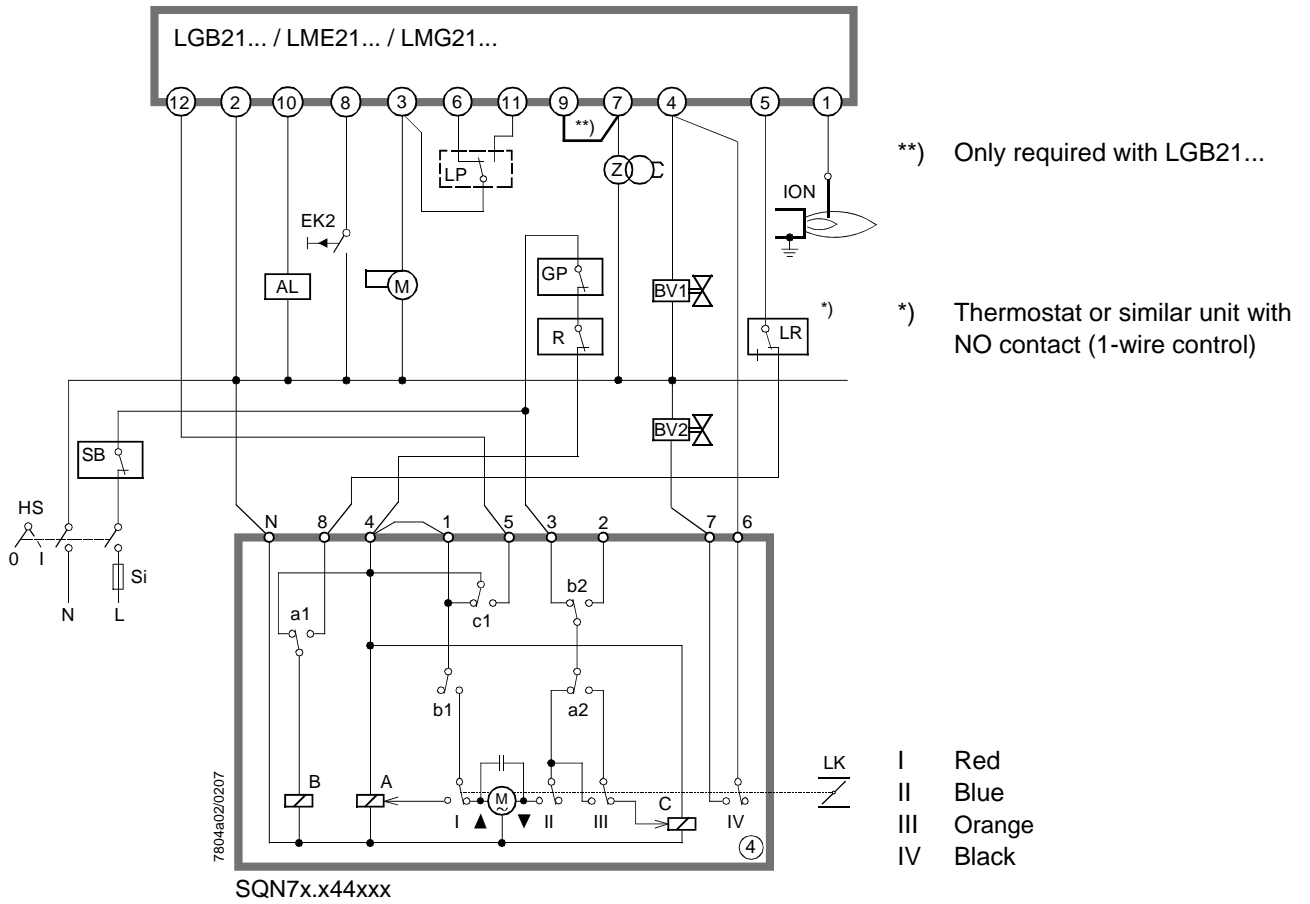


2-stage operation → prepurging at low-fire position (KL)



4) Required position is approached from only one side to eliminate switching differential (compensation of backlash)

2-stage operation → prepurging at low-fire position (KL)

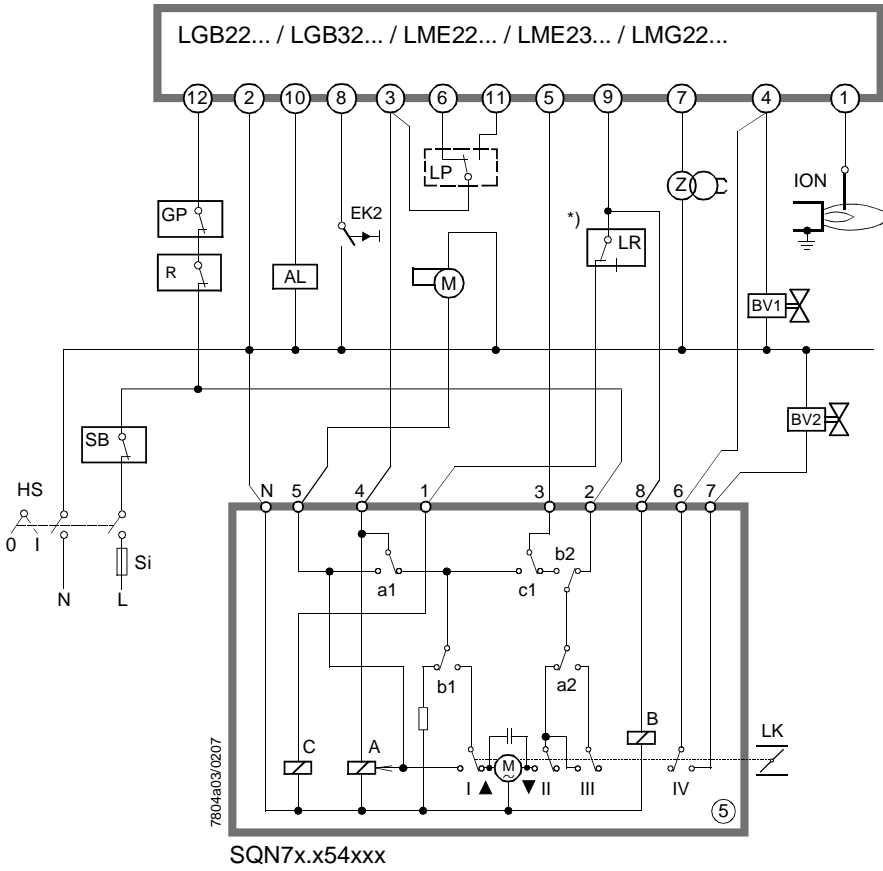


1) Required position is approached from only one side to eliminate switching differential (compensation of backlash)

Connection diagrams (cont'd)

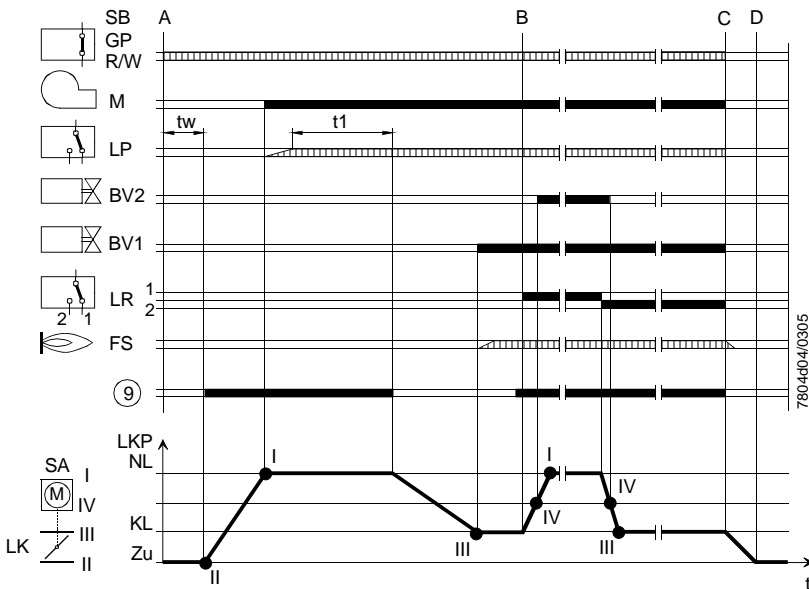
No. 5 → LME22.../LME23.../LGB22.../LGB32.../LMG22...

2-stage operation → prepurging at nominal load position (NL)



*) Thermostat or similar unit with NO contact (1-wire control)

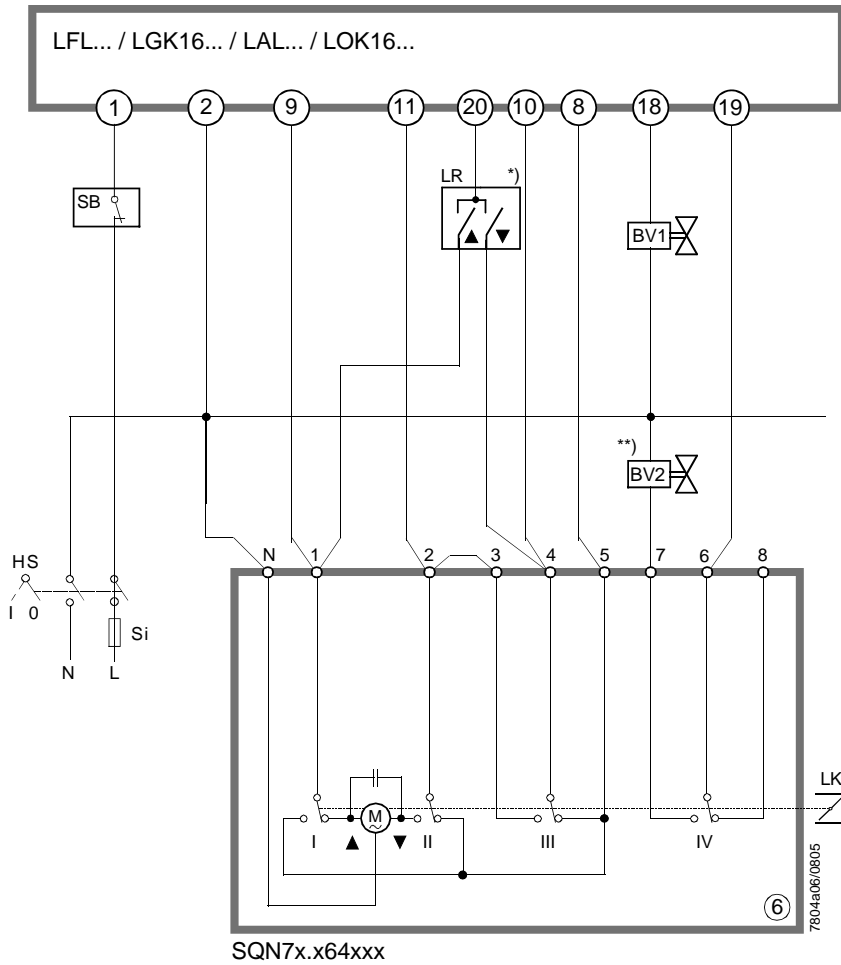
- I Red
- II Blue
- III Orange
- IV Black



Connection diagrams (cont'd)

No. ⑥ → LFL.../LGK16.../LAL.../LOK16...

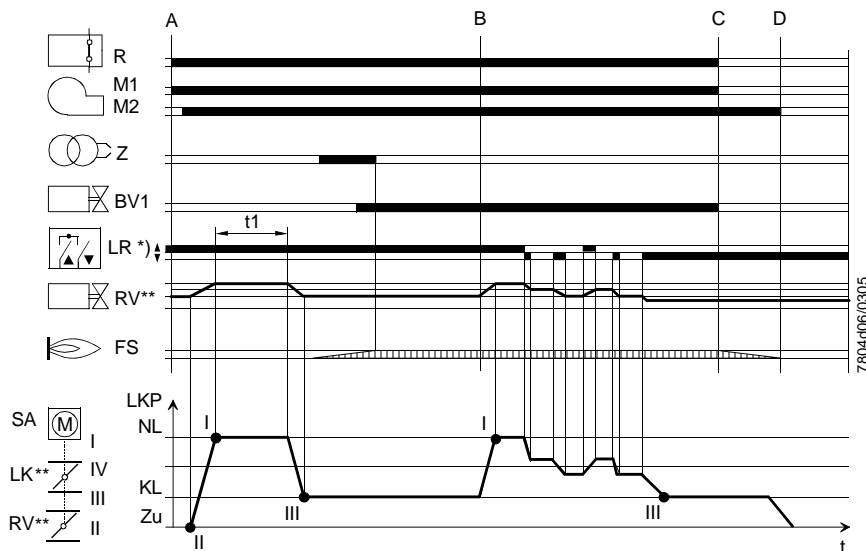
2-stage or modulating operation → prepurging at nominal load position (NL)



*) Thermostat or similar unit with changeover contact or 3-position controller for ON/OFF positioning pulses and neutral position

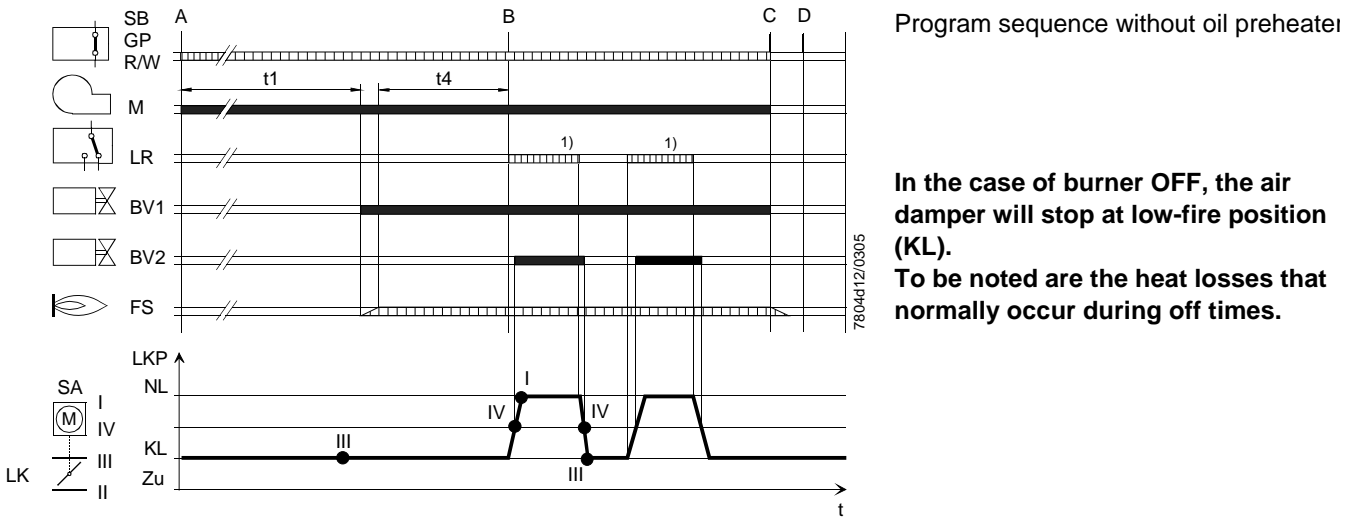
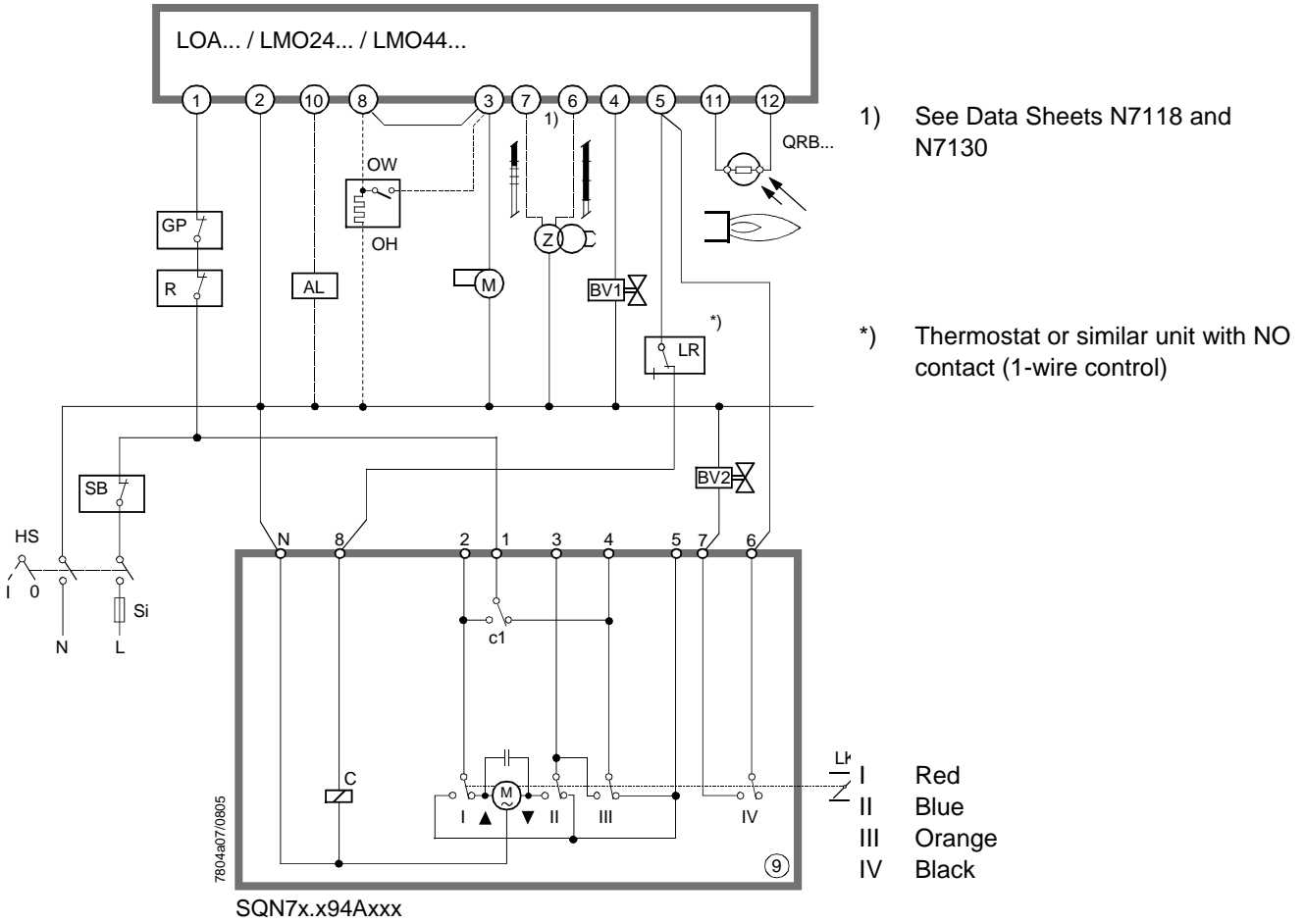
***) In the case of modulating operation, fuel valve (BV2) is replaced by a gas control valve (RV)

- I Red
- II Blue
- III Orange
- IV Black



Program sequence diagram shows modulating operation.

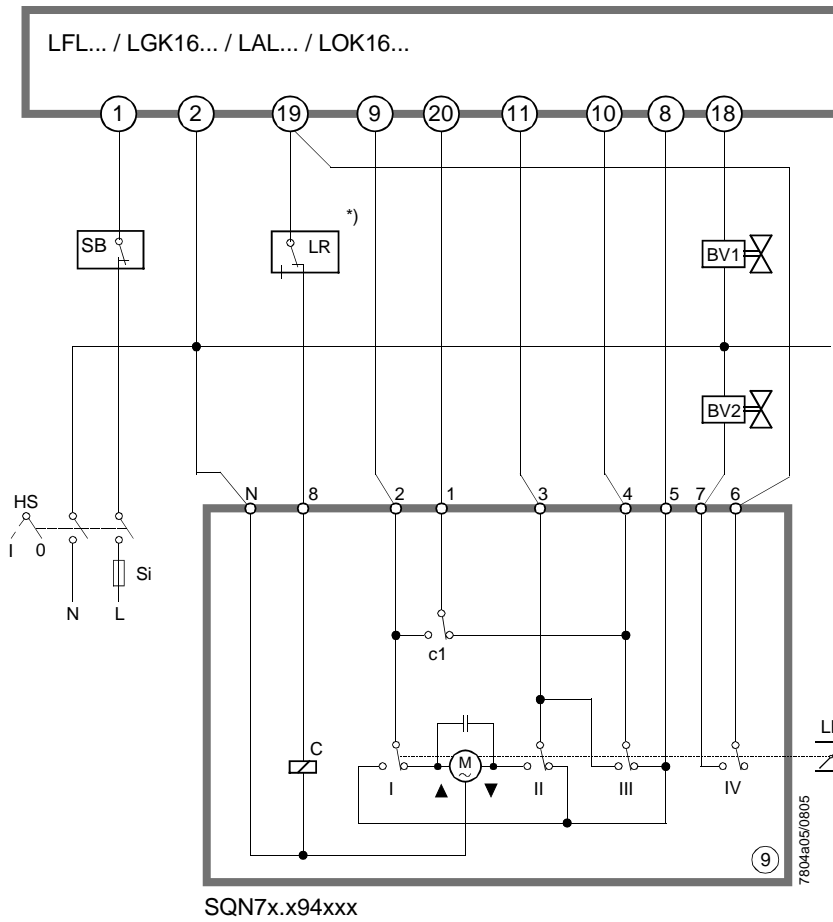
2-stage operation → prepurging at low-fire position (KL)



Connection diagrams (cont'd)

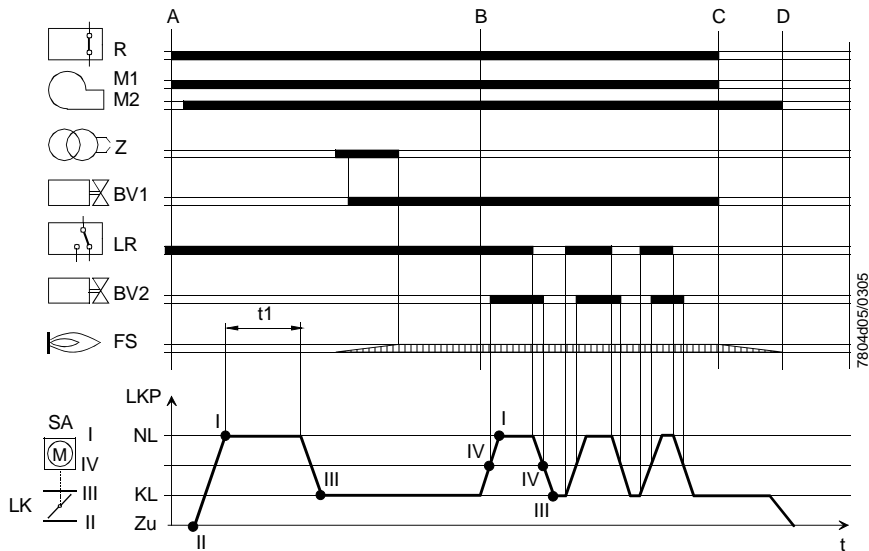
No. 9 → LFL.../LGK16.../LAL.../LOK16...

2-stage operation → prepurging at nominal load position (NL)



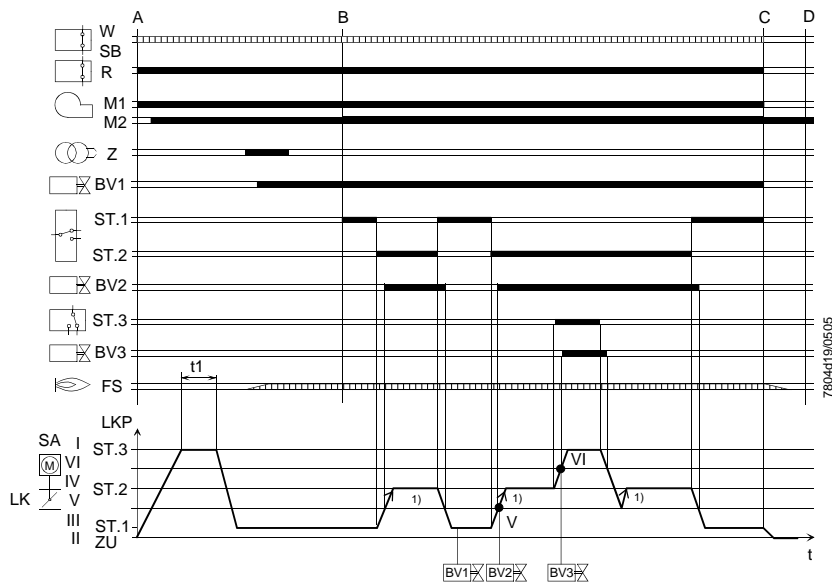
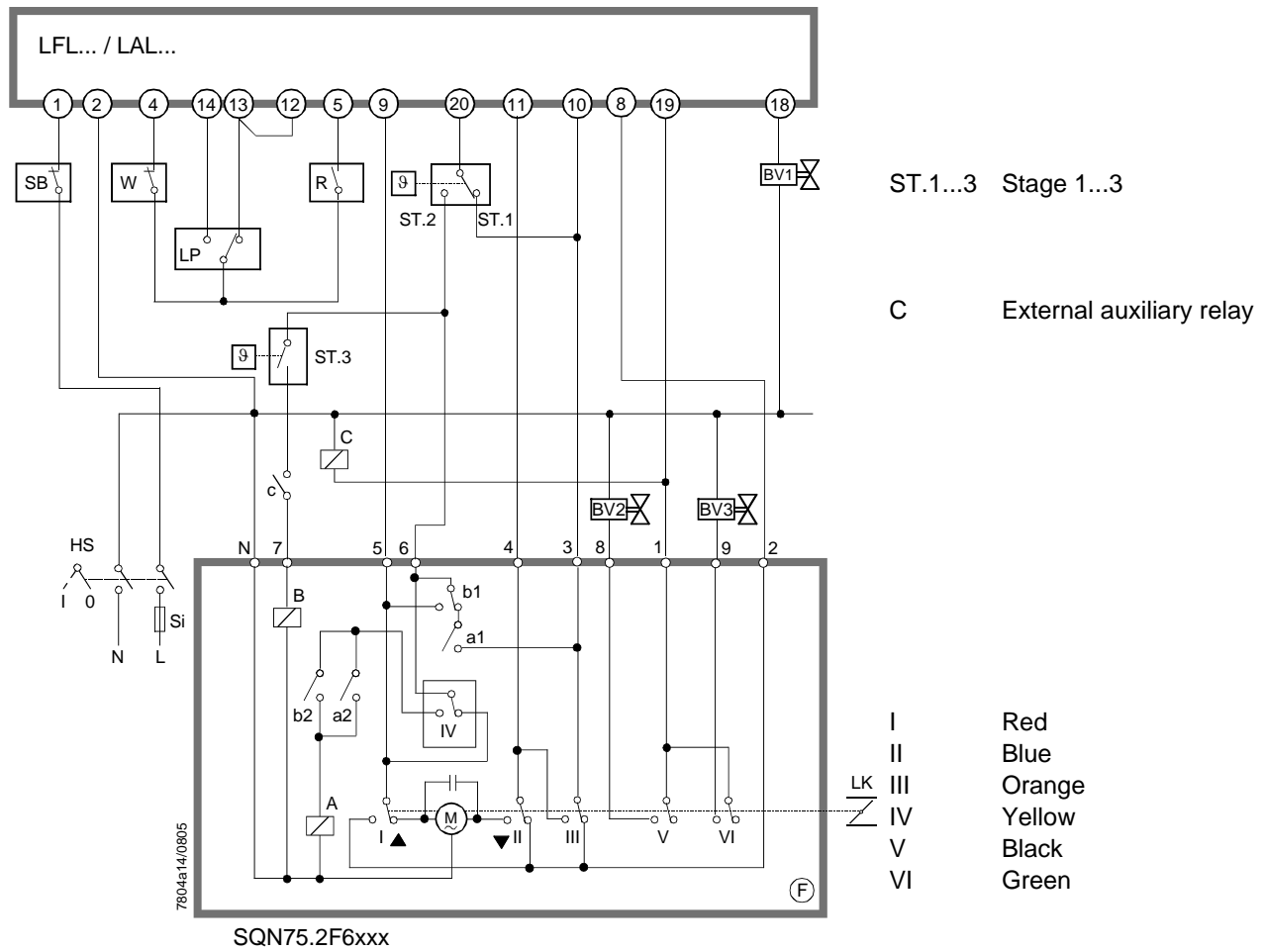
*) Thermostat or similar unit with NO contact (1-wire control)

- I Red
- II Blue
- III Orange
- IV Black



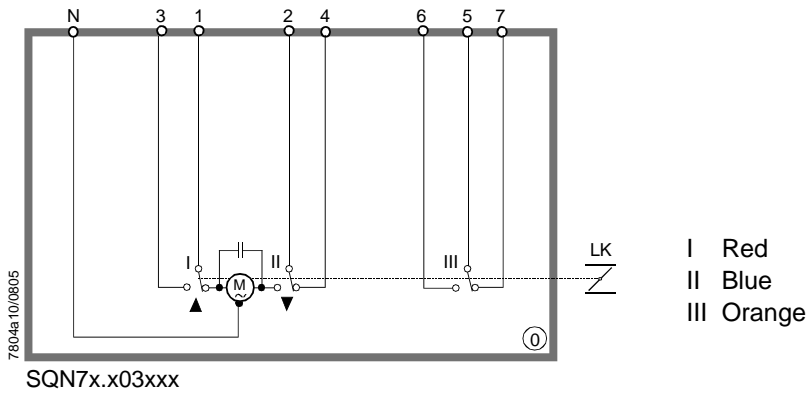
No. (F) → LAL.../LFL...

3-stage operation → prepurging at nominal load position (ST.3)

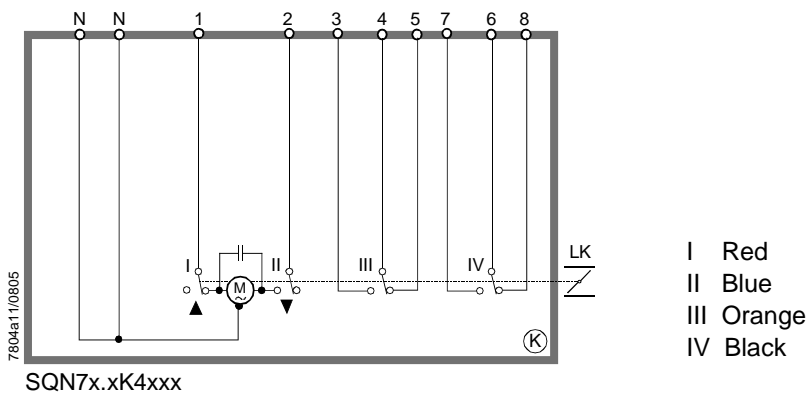


Connection diagrams (cont'd)

No. ① → Universal use

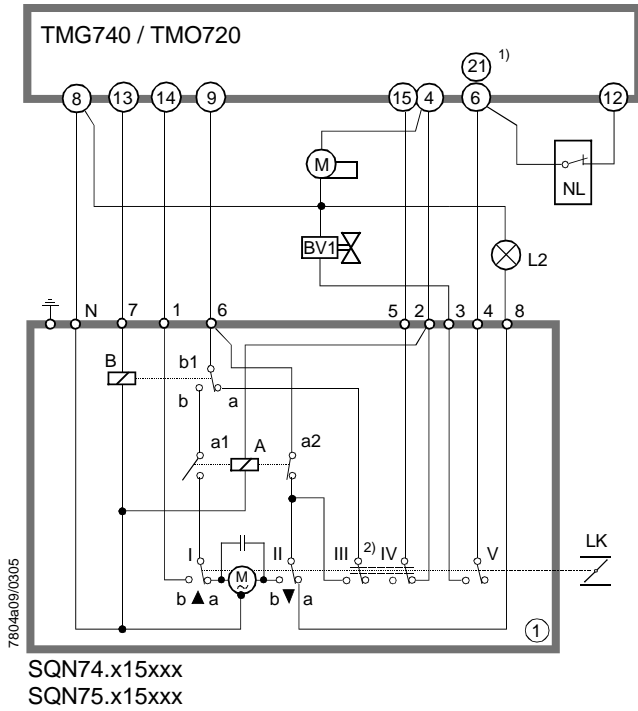


No. ② → Universal use



No. ① → TMG740/TMO720

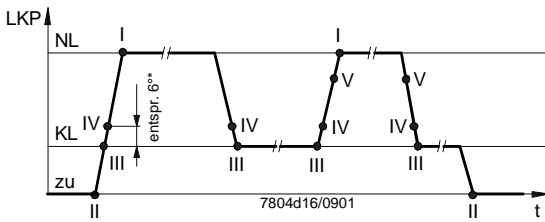
2-stage operation → prepurging at nominal load position «NL»



1) TMO720 terminal no. 6
TMG740 terminal no. 21


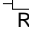
2) Cams of auxiliary switches III and IV rigidly connected

- I Red
- II Blue
- III Orange
- IV Orange
- V Black



- **TMG.../TMO... are burner controls of other manufacture.**
The user must check with the supplier of the **TMG.../TMO...** the proposed combination with the actuator from a safety point of view and with regard to the type of burner control used.
The user will assume full responsibility for this application.
- **Connection diagram no. ① corresponds to connection diagram no. ③ of the SQN3...**

Legend

| | |
|---|--|
| No. ② | Number of internal diagram. Appears at the second position after the dot in the type reference |
| I/II | End switches |
| III/IV/V | Auxiliary switches |
| AL | Remote indication of lockout (alarm) |
| BV1 | Fuel valve stage 1 |
| BV2 | Fuel valve stage 2 |
| BV3 | Fuel valve stage 3 |
| EK2 | External remote reset button |
| ION | Ionization probe |
| FS | Flame signal |
| GL | Gas / air ratio controller |
| GP | Gas pressure switch |
| HS | Main switch |
| KL | Low-fire |
| L | Live conductor |
| LK | Air damper |
| LKP | Air damper position |
| LP | Air pressure switch |
| LR | Load controller |
| M | Burner or fan motor |
| Ⓜ | Actuator's synchronous motor |
| M1 | Without postpurge |
| M2 | With postpurge |
| N | Neutral conductor |
| NL | Nominal load |
| OH | Oil preheater |
| OW | Oil preheater's readiness contact |
| QRB... | Photoresistive flame detector |
| R | Temperature or pressure controller |
|  | Relay |
| RV | Control valve |
| SA | Actuator |
| Si | External primary fuse, as specified in the Data Sheet of the relevant burner control |
| SB | Safety limiter |
| ST... | Stage |
| t... / T... | Program times (see Data Sheet of the relevant burner control) |
| TSA | Safety time |
|  | Resistance |
| Z | Ignition transformer |
| CLOSE | Damper fully closed |
| ▲ | Direction of rotation OPEN |
| ▼ | Direction of rotation CLOSE |

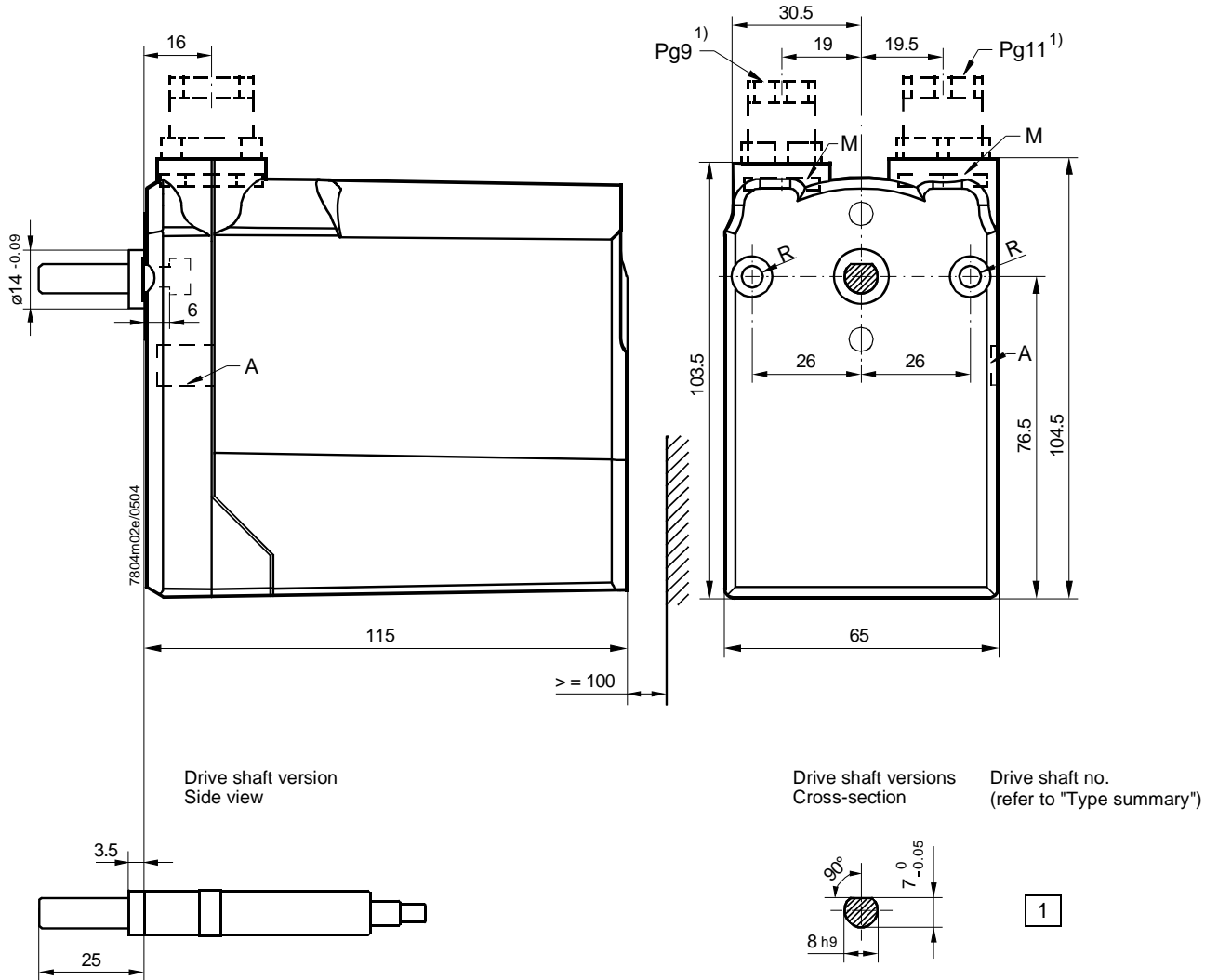
Program sequence diagrams

| | |
|-------|---|
| A | Burner ON |
| A – B | Startup of burner |
| B – C | Burner operation / load control operation (modulating or 2-stage) |
| C | Burner OFF |
| C – D | Overrun time |
| D | End of program, burner control ready for new start |

Dimensions (cont'd)

Dimensions in mm

SQN74.../SQN75...



Drive shafts shown in CLOSE position (end switch II)

- A Knockout hole for loose cable entry
- R Through-hole 5.3 mm dia.
Fixing positions matched to Conectron LKS 160 and Berger STA
- M Pg nuts (not included in supply; for type reference, see Technical data)
- 1) Not included in supply