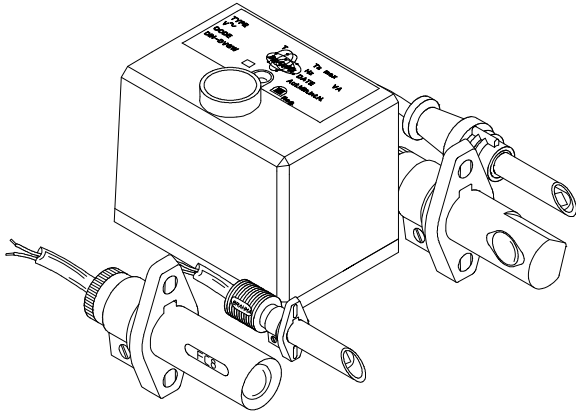


# EURO-OIL CONTROLS SERIES 10

## AUTOMATIC OIL BURNER CONTROL SYSTEM



### APPLICATION

This range of electronic oil burner controls has been specifically designed for oil burners for non permanent operation.

The automatic burner controls of this series are suitable for:

- monobloc oil burners;
- power washers;
- warm air generators;
- steam boilers;
- kilns.

Due to the technical and structural characteristics and to the variety of models they can be used for the automation of cookers and oil burner operated appliances for domestic and industrial applications.

### FEATURES

Table 1 shows the main features of this series.

Other important features are:

- for non permanent operation;
- for fuel throughput < 30 kg/h ( $TS_{MAX} = 10s$ ) or fuel throughput from 30 to 100 kg/h ( $TV_{min} = 15s$  e  $TS_{MAX} = 5s$ );
- in accordance with the European standard concerning monobloc oil burners and control systems DIN EN 230:2005;
- in compliance also with the standard DIN EN 13842:2004-10 for warm air generators (WLE, versions with  $TV = 20s$  e  $TS = 5s$ );
- two independent safety contacts for oil valve control;
- electrical service life at max load >250.000 operations;
- simple wiring and installation.

Table 1

Type	Single flame	Dual flame	Pre-heater	Normal operation in case of pre-heating thermostat opening	On-board reset	External remote reset	Flame detectors FC7/* FC8/*	Flame detectors FC11/* FC13/* FC14/* FC14L/*	Classification code according to EN 230	Certificate N°
GR1	*		(1)		*	*		*	FMCLXN	09 07 91305 002
GR1/Z	*		*	*	*	*		*	FMCLXN	09 07 91305 002
GR2		*	(1)		*	*		*	FTCLXN	09 07 91305 003
G22	*		(1)		*		*		FMCLXN	09 07 91305 001
G22/Z	*		*	*	*		*		FMCLXN	09 07 91305 001
GF2		*			*		*		FTCLXN	09 07 91305 001
OR1	*		(1)		*			*	FMCLXN	09 07 91305 002
OR1/Z	*		*	*	*			*	FMCLXN	09 07 91305 002
OR2		*			*			*	FTCLXN	09 07 91305 003
OR3/B		*	*		*			*	FTCLXN	09 07 91305 003

**NOTE:**

1. this option is possible only by an external connection.





## ACCESSORIES

The following data are useful to choose the most suitable flame detector for the application and the control box used.

- Flame detector for EURO-OIL type GR1, GR1/Z, GR2, OR1, OR1 /Z, OR2, OR3/B

View	Series	Type <sup>4</sup>	Range [lux]
frontal / lateral	FC11	/N (black)	1,5 ÷ 6,5
		/A (cyan)	1,5 ÷ 3,0
frontal / lateral	FC13	/R (red)	1,5 ÷ 6,5
		/A (cyan)	1,5 ÷ 3,0
frontal / lateral	FC14	/R (red)	1,5 ÷ 6,5
		/A (cyan)	1,5 ÷ 3,0
frontal / lateral	FC14L	/R (red)	1,5 ÷ 6,5
		/A (cyan)	1,5 ÷ 3,0

- Flame detector for EURO-OIL type G22, G22/Z, GF2

View	Series	Type <sup>4</sup>	Range [lux]
lateral	FC7	/R (red)	1,5 ÷ 5,5
		/A (cyan)	1,5 ÷ 3,0
		/V (green)	3,0 ÷ 5,5
frontal	FC8	/R (red)	1,5 ÷ 5,5
		/A (cyan)	1,5 ÷ 3,0
		/V (green)	3,0 ÷ 5,5

### NOTE

4. The suffix indicates the colour of the photocell enclosure.

It is also possible to use the UV sensor BRAHMA type FD1/N or FD2/N (frontal or lateral viewing) that is specifically designed for burners with blue flame.

The following figures show the types and fixing systems of the available flame detectors.

To fix the flame detector screws diameter 4 are suggested.

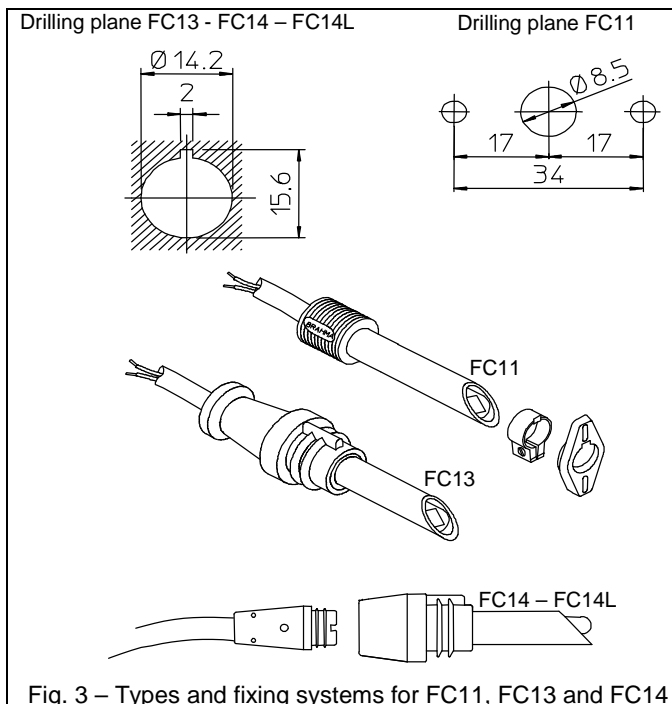


Fig. 3 – Types and fixing systems for FC11, FC13 and FC14

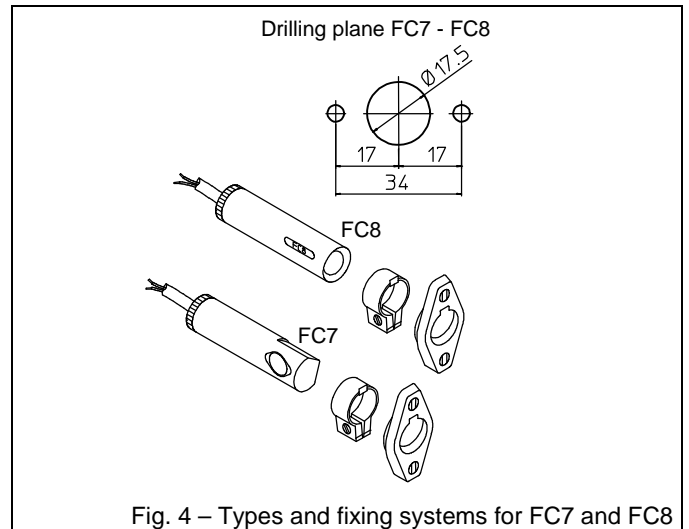


Fig. 4 – Types and fixing systems for FC7 and FC8

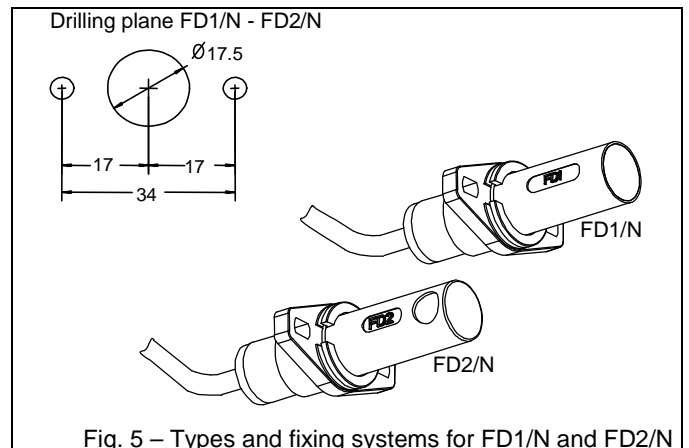


Fig. 5 – Types and fixing systems for FD1/N and FD2/N

### Cable holders and core hitches

Cable holders and core hitches can be fitted on the sides of the enclosure and the connecting sockets. These accessories can be supplied upon request (see Fig.6).

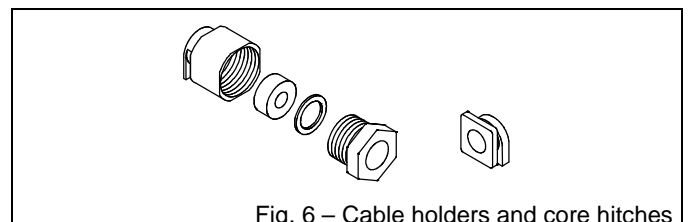


Fig. 6 – Cable holders and core hitches

### DIRECTIONS FOR USE

- Automatic controls are safety devices and must not be opened. The manufacturer's responsibility and guarantee are invalidated if the control is incautiously opened.
- For safety reasons a regulation shutdown must occur every 24 hours (systems for non permanent operation).
- The control can be connected and disconnected only without the main power.
- The control can be mounted in any position.
- Avoid exposing the control unit to dripping water.
- Ventilation and the lowest temperature ensure the longest life of the control.
- Make sure that the type (code and times) you are using is correct before installing or replacing the control.

## ELECTRICAL INSTALLATION

- The applicable national and European standards (e.g. EN 60335-1 / EN 60335-2-102) regarding electrical safety must be respected.
- **Live** and **neutral** should be connected correctly; a mistake could cause a dangerous situation, as the internal safety devices can be ineffective in case the connecting wires of thermostats and valves are not isolated.
- Before starting the control unit check the cables carefully. Wrong connections can damage the control and compromise the safety of the application.
- The earth terminal of the control, the metal frame of the burner and the earth of the electric system must be well connected.
- Avoid putting detection cables close to power or ignition cables.
- Protect the control with a fast fuse suitable to the load connected and never exceeding 6.3A.
- The appliance in which the control is installed must provide adequate protection against the risk of electrical shock.

## CHECKING AT START

Always check the control before the first start and also after any replacement or a long period of non operation of the system.

Before any ignition attempt make sure that the combustion chamber is free from oil. Then make sure that:

- if the starting attempt occurs with the flame detector obscured the control performs a lockout after safety time;
- if start up takes place with extraneous light the control performs a lockout within 10 seconds;
- when the flame detector is obscured in running position, supply to the oil valves is interrupted within 1 second and after a recycling the control proceeds to lockout;
- the intervention of limiters or safety devices cause a safety shutdown according to the application;
- operating times and sequence are suitable to the control box used.

## OPERATION

At every start the control unit supplies the burner motor and the ignition transformer and proceeds to a self-checking of its own components. During the prepurge time TV the internal circuit makes a test of the flame signal amplifier circuit. Extraneous light or a fault in the amplifier cause the lockout of the control within 10 seconds.

At the end of prepurge time the control output of the first oil valve is energized; if a flame signal is detected at the end of safety time, the control unit deenergizes the ignition transformer and goes to running position.

At the end of safety time in the controls with two flame levels the ignition transformer is deenergized and the second oil valve is supplied. If no flame signal is detected during safety time, the control goes to lockout, the control outputs of the valve, the ignition transformer and the burner motor are switched off while the lockout signal is supplied.

The controls prearranged for the use of an oil pre-heater supply the pre-heater when the ambient thermostat and/or the boiler (T) switches on. In this way the starting sequence begins when the pre-heater thermostat (TC) switches on.

The thermostat opening does not cause the burner shutdown: if the pre-heater is used (if possible), the thermostat opening causes the repetition of the starting sequence after the heating stage (RISC) of the pre-heater; if the pre-heater is not used the starting sequence is repeated when the ambient thermostat and/or the boiler (T) switches on.

In case of device with option "Z" (EURO-OIL type GR1, G22 and OR1) the pre-heater thermostat opening during running state is not considered.

The attached diagrams are useful to understand how each control operates.

## Abnormal operation - Extraneous light

All control boxes of this series perform a lockout within 10 seconds.

## RESET OF THE CONTROL

When a control has gone to lockout, a delay of 10 seconds should be considered before attempting to reset the control unit; if this time is not observed the control may not reset.

## TESTING THE FLAME SIGNAL

It is extremely important to test the flame signal level before having the burner operate.

Arrange one cable connected to each terminal of the photoresistor as shown in figure 7. These cables should be accessible when the control is mounted on the socket; then, with the burner in running position, the voltage between terminals must be  $< 0,8V$ .

This value guarantees a safe operation; it corresponds to a light intensity 50% beyond the limit value (about 1,4V). In case the tested voltage is higher, try to better orientate the photocell or to clean it.

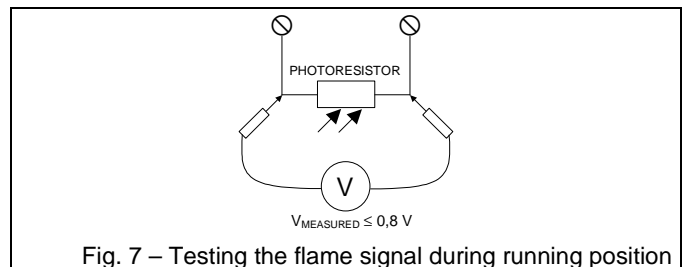
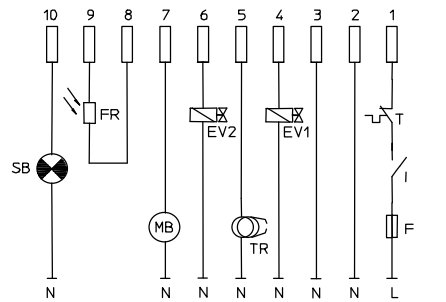
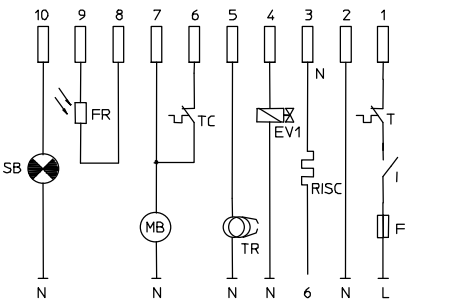
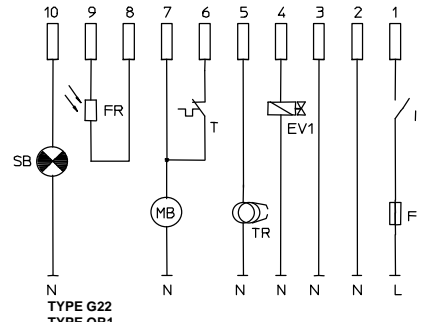
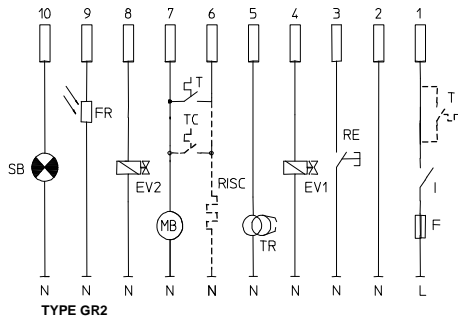
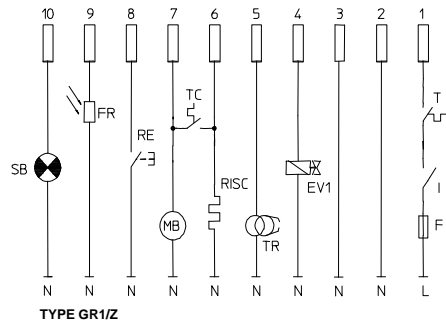
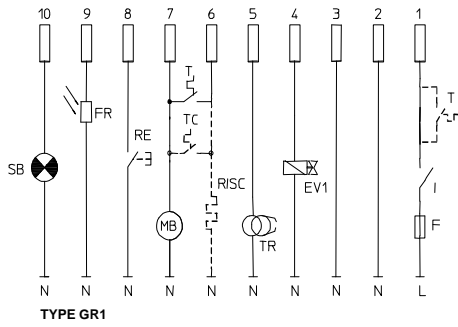


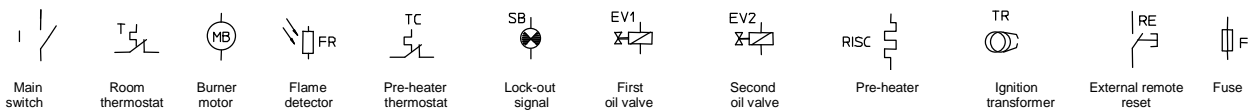
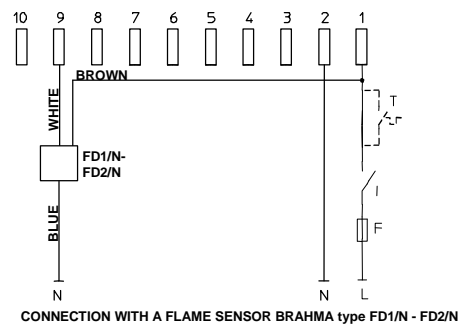
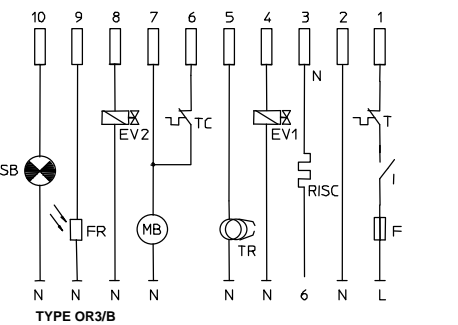
Fig. 7 – Testing the flame signal during running position

# CONNECTION DIAGRAMS

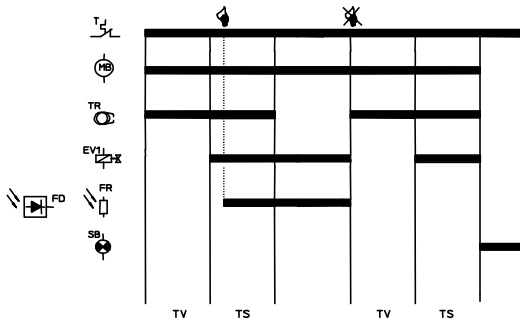


**TYPE G22 - Application with pre-heater  
TYPE OR1 - Application with pre-heater  
TYPE G22/Z  
TYPE OR1/Z**

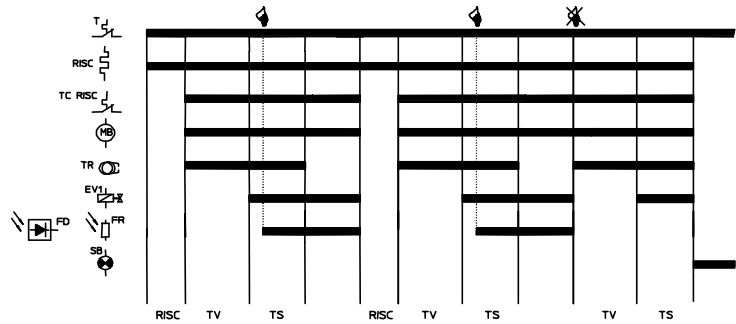
**TYPE GF2  
TYPE OR2**



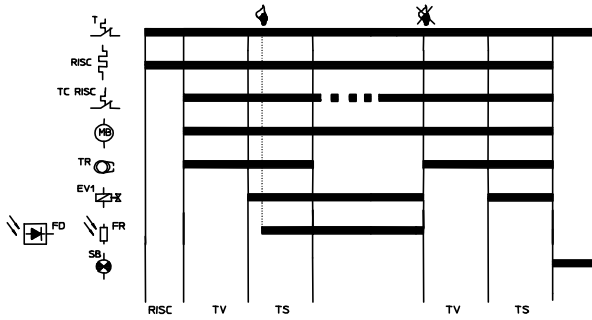
# OPERATING CYCLES



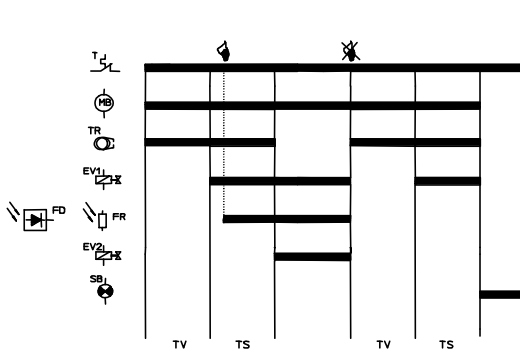
TYPE GR1 - G22 - OR1



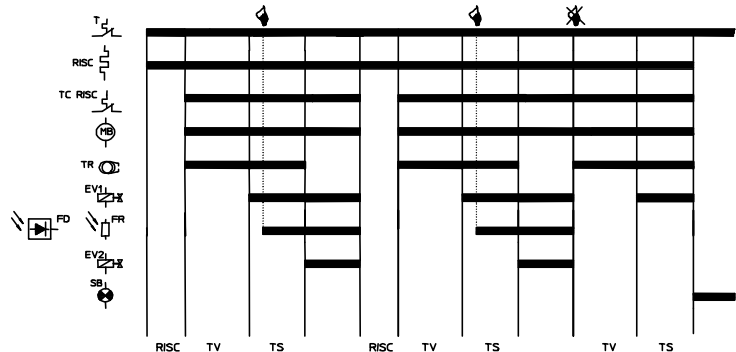
TYPE GR1 - G22 - OR1  
(WITH PRE-HEATER)



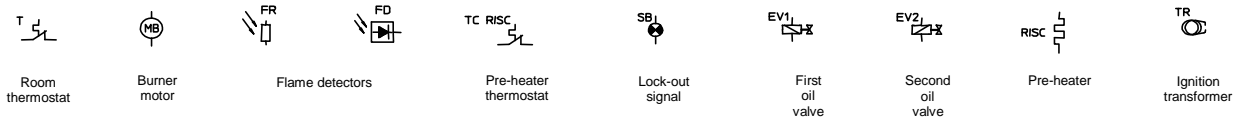
TYPE GR1/Z - G22/Z - OR1/Z



TYPE GR2 - GF2 - OR2



TYPE GR2 (WITH PREHEATER) - OR3/B



**ATTENTION -> Company Brahma S.p.A. takes no responsibility for any damage resulting from Customer's tampering with the device.**

**BRAHMA S.p.A.**  
 Via del Pontiere, 31  
 37045 Legnago (VR) - Italy  
 Tel. +39 0442 635211 - Fax +39 0442 25683  
<http://www.brahma.it>  
 E-mail: [brahma@brahma.it](mailto:brahma@brahma.it)

11/06/07 Subject to amendments without notice